



JASPER COUNTY

HEALTH DEPT.

116 W 4TH ST SOUTH, NEWTON, IA 50208

Date: April 6, 2020
Contact: Danielle Rogers, Public Information Office
Jasper County Emergency Management EOC
danieller@newtongov.org

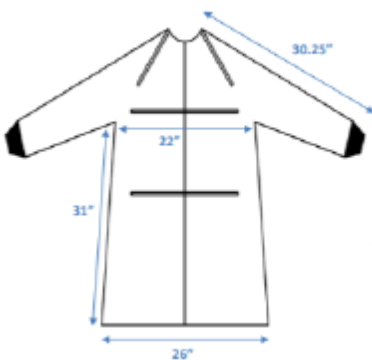
The following information was released by the Iowa Department of Public Health on April 5, 2020.

There is a national shortage of commercially-produced PPE including gowns. Public and private officials are working to address national and global supply challenges.

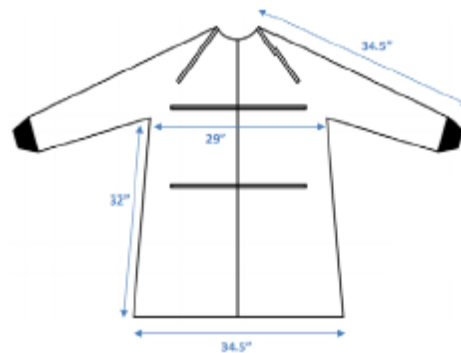
Due to the current limitations on supplies of disposable and cloth gowns, there may come a time during this response when commercially manufactured gowns are no longer readily available. Iowans who would like to support healthcare providers can use this guidance document to construct homemade washable cloth gowns that can be worn by Iowa healthcare providers during patient care. Homemade washable cloth gowns are typically made of polyester or polyester-cotton fabrics. Gowns made of these fabrics can be safely laundered using routine procedures and reused.

Iowans who would like to donate homemade gowns need to call their local hospital, medical clinics, or long-term care facility prior to making a donation. The facility will provide guidance on where to drop off donations outside of the health care facility. There are many different patterns available on the internet, please choose one that meets the specifications below or one that meets the requirements provided by the facility where you are making a donation.

Measurements for Small/Medium Gowns



Measurements for Large/Extra Large Gowns



Additional sample patterns can be found at:

<https://ukhealthcare.uky.edu/sites/default/files/isolation-gown.pdf>

<https://www.fashiongirlsforhumanity.org/products/gown-pattern-package>

Donations can be dropped off at the Jasper County Emergency Operations Center by calling 641-841-1180 to schedule a drop off at the Jasper County EMA (1030 W 2nd St S; Newton, Iowa). Drop offs will be held weekdays between 8 A.M. and 4 P.M. by appointment only.